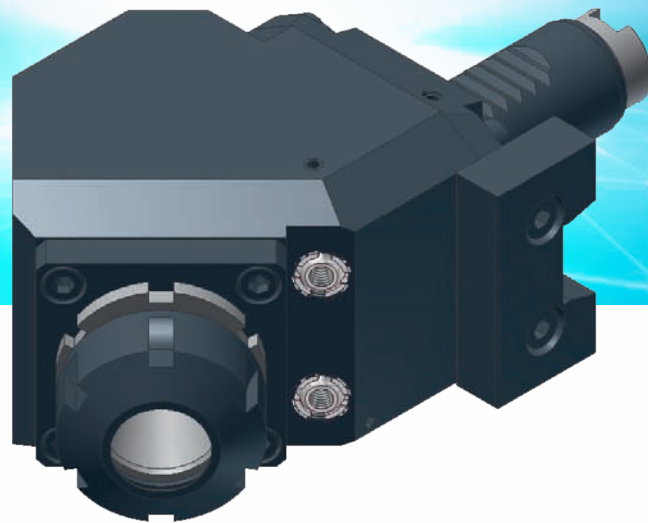


Precision meets Motion



EWS . e-Catalog

Optimized 3D models for process simulation

NEWS

Proposals of initial equipments with drawings

EWS
Tool Technologies



EWS . e-Catalog

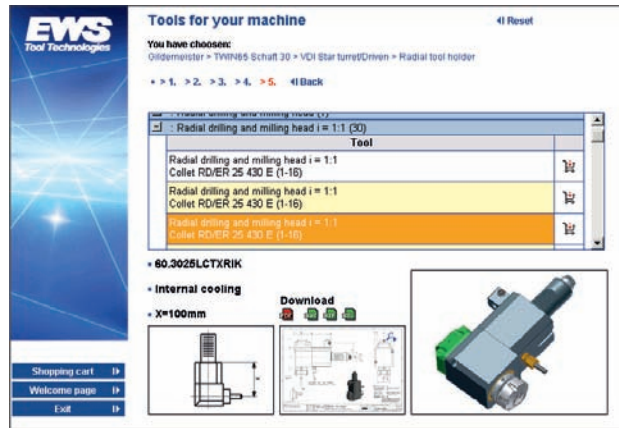
In five easy steps to the tool

Our online catalog that is available in 20 languages supports your search for the needed tool with graphics and drawings.

You can search with either the article number or over the machine model and reach your goal in a few steps.

You can view technical drawings directly in your browser or download them in a PDF file.

Also available as a download are 3D models for the simulation in STP, SAT or STL format.



Now with proposal of initial equipment!

Precision meets Motion

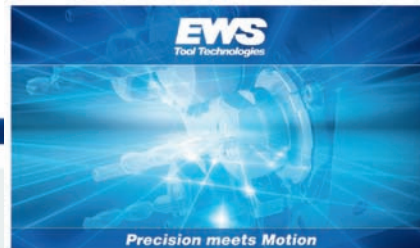
3x Collet Chuck
Collet RD/ER 25 430 E (1-16)
31.2526Q200RLW

6x Collet Chuck
Collet RD/ER 25 430 E (1-16)
EWS Varia Insert V3
31.V325L30

1x Infeed tool holder
SH 26
32.2526Q200RL

3x Axial drilling and milling head i = 1:1
Collet RD/ER 25 430 E (1-16)
40.2526Q200

3x Axial drilling and milling head i = 1:1
EWS Varia V3
40.25V3Q200



Initial setup

**INDEX
C200 VDI25
VDI Star turret
W**

